



slingshot.

About this Guide

Version: 1.0

Thanks for purchasing the Syrp Slingshot, we're stoked to be helping you make better films!

The Slingshot is a unique production tool for creating motion control time-lapse shots over extended distances. Use the Genie for motorizing the Slingshot and fully customize your motion control setup. For more information on the Genie, please refer to the Genie User Manual.

In this Guide you'll learn how to set up the Slingshot properly. Your safety is our top priority so please make sure you read this entire Guide carefully to ensure proper set up before use and that you use the Slingshot safely. We also suggest that you keep this Guide for future reference. The information in this Guide relates to your safety and your legal rights and responsibilities.

For more detailed setup tutorials please subscribe to our Youtube Channel [_](#).

Contact:

Syrp Ltd
Auckland, New Zealand
+64 9 845 6319
syrp@syrp.co.nz
www.syrp.co.nz



Disclaimer

Syrp has made every effort to provide clear and accurate information in this Guide, which is provided solely for you, the user's information. However to the maximum extent permitted by law Syrp shall not be liable for any errors or discrepancies in this Guide.

Syrp reserves the right to revise the design and specifications of the Slingshot and this Guide and make changes from time to time including, without limitation, as a result of changes in any applicable laws or regulations. Syrp will upload any changes to this Guide on its website (<https://syrp.co.nz/>).

By using the Slingshot, you agree that:

- you have read this Disclaimer, Product Warnings, Safety Instructions and full Guide carefully, and
- you understand and agree to abide by all the terms and conditions in this Guide;
- you are solely responsible for your own conduct and safety while using the Slingshot;
- you will only use the Slingshot for the purpose that it was designed and safely and in accordance with all applicable laws, rules and regulations, and all instructions, warnings, practices, policies and guidelines that Syrp has or may make available from time to time including, without limitation, by way of video tutorials and guides on Syrp's website (<https://syrp.co.nz/>) and Youtube / Vimeo channels.

Subject to any express warranty listed on the support page at www.syrp.co.nz, to the maximum extent permitted by law, in no event shall Syrp, its directors, employees, contractors or authorised agents be liable to you or anyone else for any loss, damage, fines, penalties, injury, solicitor-client costs, loss of profits, loss of business or damage to goodwill, or any indirect or consequential or special loss or damage arising under or in connection with:

- your use of the Slingshot; and
- the use of any technical or operational information contained in this Guide

Note that the illustrations in this Guide are illustrations only and differ slightly from the actual product.

For full user manual and operating instructions refer to the user manual below and www.syrp.co.nz/support

Subject to any express warranty given by Syrp at www.syrp.co.nz/support, to the fullest extent possible at law, Syrp does not make any representations or give any express or implied warranties of any kind in relation to the Slingshot.

If the Slingshot is being used by you for business purposes as that term is defined in the New Zealand Consumer Guarantees Act 1993 then pursuant to the provisions of that Act the terms and guarantees of that Act do not apply to your purchase of the Slingshot.



COPYRIGHT AND TRADEMARKS.

Copyright laws in your country may prohibit the use of recorded images of people, places or other subjects for public or private enjoyment. Also be aware that certain public performances, exhibitions or other events may prohibit recording images.

© 2016 Syrp Ltd. All rights reserved.

This Guide is protected under international copyright laws.

No part of this Guide may be reproduced, distributed, translated, or transmitted in any form or by any means, electronic or mechanical, including photocopying, recording, or storing in any information storage and retrieval system, without the prior written permission of Syrp.

Syrp, the Syrp logo and the Genie logo are trademarks or registered trademarks of Syrp Ltd in New Zealand and/or other countries. All trademarks, trade names, icons, logos, written material, images, code, and product names used in association with this product are copyrights, trademarks, or other intellectual property exclusively owned and controlled by Syrp Ltd. Syrp Ltd also holds patents in some countries and has patents pending.

All other company, brand and product names are trademarks or registered trademarks of their respective holders.

Product Warnings

The Slingshot was manufactured and designed to be used for motion control time-lapse photography and video. Never use the Slingshot without fully understanding the functions and safety precautions. You must ensure that the Slingshot is only used for its purpose and in accordance with this Guide. Please read the Product Warnings and Safety Instructions carefully before using.

WARNING:

Always keep the Slingshot and all accessories (including Slingshot Carriage, Wheels, Slingshot Linear Accessory, Ratchet Bar, Fixed Bar, Genie Rope, Slingshot Rope, Tie Down Straps, Camera Safety Lanyard, Wheel Safety Hooks, Ratchet Wrench, Slingshot Carry Bag) and all packaging out of reach of babies and infants.

WARNING:

Do not carry, jar, swing, or shake the unit by any attached accessories including the Genie, Ballhead, Carriage, Ratchet Bar or Fixed Bar. Any strong jolt may damage the unit or result in personal injury.

WARNING:

Do not use this product near water. The unit is not waterproof and cannot be used under water. If you accidentally drop the device into water, promptly contact Syrp.



WARNING:

Never use any 3rd party accessories including 3rd party rope as a replacement for the Slingshot Rope or the Genie Rope.

WARNING:

Never attempt to disassemble the Slingshot Components to repair, fix or replace parts.

WARNING:

The Slingshot needs to be attached to two fixing points. Always make sure that you have permission to setup the Slingshot on the Fixing Points.

WARNING:

Never attach the Slingshot to unstable or fragile Fixing Points.

Important Safety Instructions

READ THESE INSTRUCTIONS.

KEEP THESE INSTRUCTIONS.

HEED ALL WARNINGS.



Syrp has carried out safety testing in respect of the Slingshot and the results of the tests show that it is unsafe to use the Slingshot in storms, lightning and extreme weather conditions such as in temperatures over 30 degrees Celsius or less than 0 degrees Celsius. Using the Slingshot in these conditions could cause personal injury or damage to people, animals or property.



Do not use the Slingshot for anything other than creating motion control timelapse photography and video.

Syrp advises you to follow the below instructions to ensure that the Slingshot is without risks to health and safety to people or animals when used for creating motion control timelapse photography and video:



- Never use the Slingshot at a length that exceeds 330ft / 100m.
- Syrp does not recommend you use the Slingshot at great heights as you could fall and suffer serious injury or death. If you do operate at heights you will need to take extreme care and use a spotter and safety equipment.
- Never use the Slingshot above people or animals or close to motor vehicles, railway stations, highways, railway lines, schools, city centres or other public or sensitive areas. The Slingshot



could fall and cause personal injury or damage.

- Never operate the Slingshot without using the Camera Safety Lanyard and the Wheel Safety Hooks.
- Always ensure the Genie is securely attached to the Slingshot Linear Accessory. No orange should be visible on the release latch when properly attached.
- Never attach the Genie to the underside of the Slingshot Carriage.
- Always wear gloves when handling the setup of the Slingshot.
- Only use accessories and parts that are specified by Syrp.
- Never overtighten the Slingshot Rope (the Max Torque Rating is 20 ft/lb / 26 Nm). UNDER NO CIRCUMSTANCES SHOULD YOU USE 3RD PARTY RATCHET WRENCHES FOR TIGHTENING THE SLINGSHOT ROPE AS THERE IS A RISK YOU COULD OVERTIGHTEN THE SLINGSHOT ROPE.
- Keep fingers and hair away from the Slingshot when in operation.
- Never put too much weight on the Slingshot carriage. The maximum payload is 17.6lbs / 8kg.

Contents

WHAT'S IN THE BOX

ATTACH THE BARS

ATTACH THE SLINGSHOT ROPE

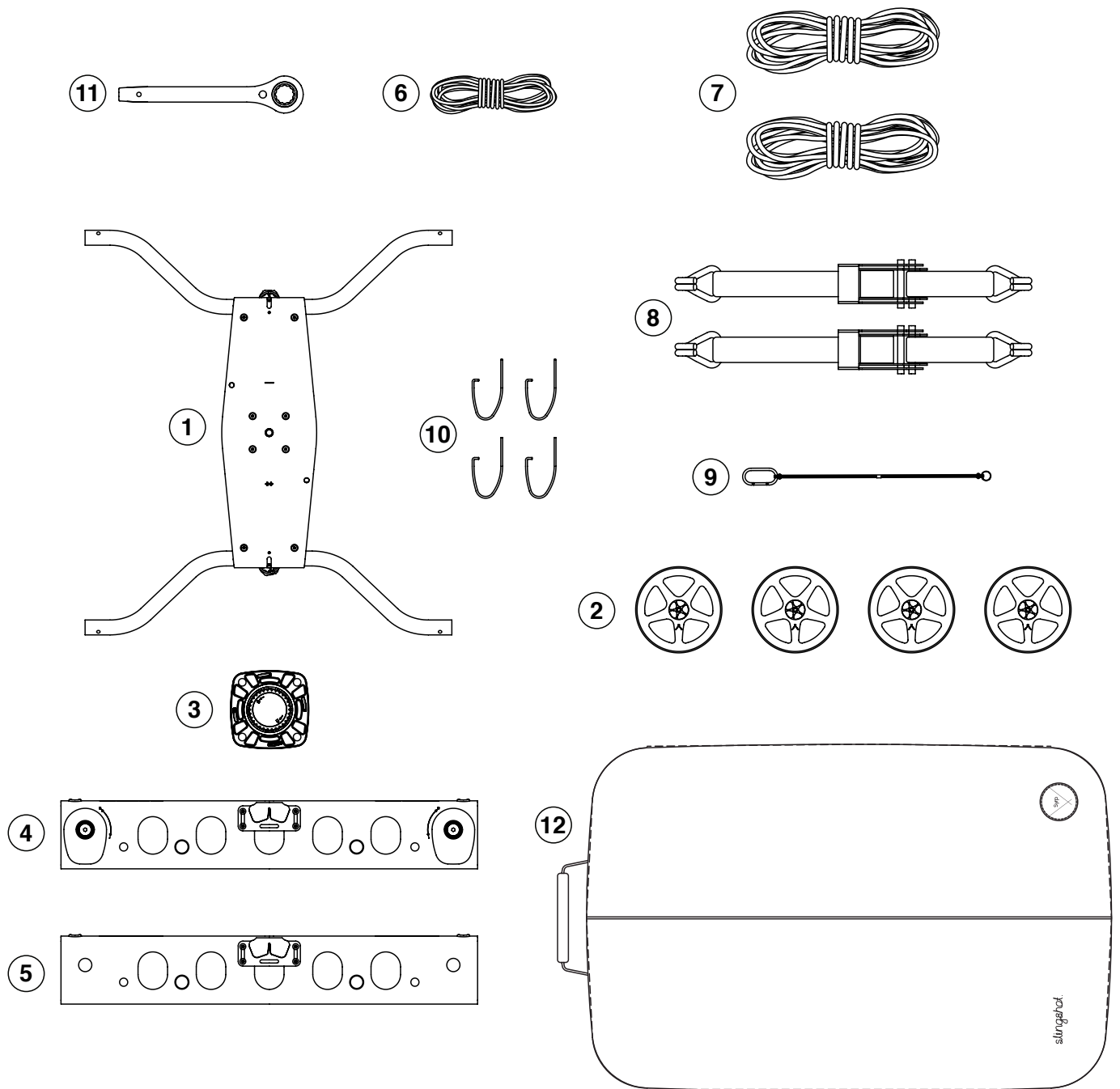
ATTACH THE GENIE ROPE

ATTACH THE CARRIAGE

ATTACH THE GENIE AND CAMERA

SPECS





What's in the Box

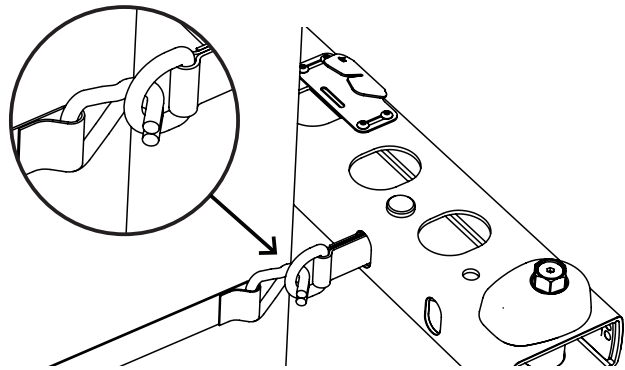
Items that are included in the box when you purchase the Slingshot

- 1 Slingshot Carriage
- 2 4 x Wheels
- 3 Slingshot Linear Accessory
- 4 Ratchet Bar
- 5 Fixed Bar
- 6 82ft (25m) Genie Rope
- 7 2 x 82ft (25m) Slingshot Rope
- 8 2 x 19.7ft (6m) Tie Down Straps
- 9 Camera Safety Lanyard
- 10 Wheel Safety Hooks
- 11 Ratchet Wrench
- 12 Slingshot Carry Bag

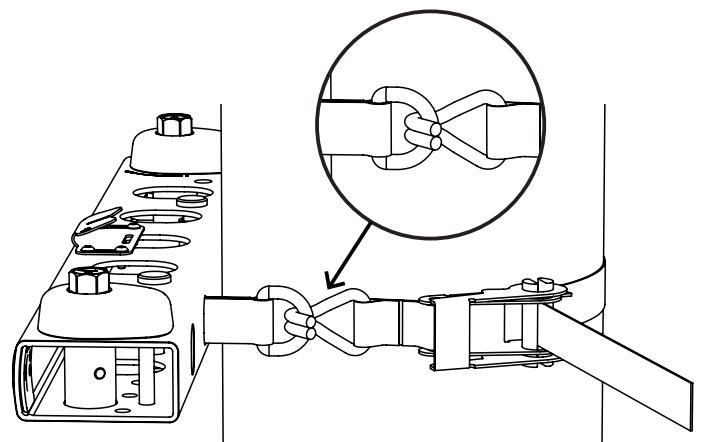
Attach the Bars

Attach the Ratchet Bar and Fixed Bar to two anchor points

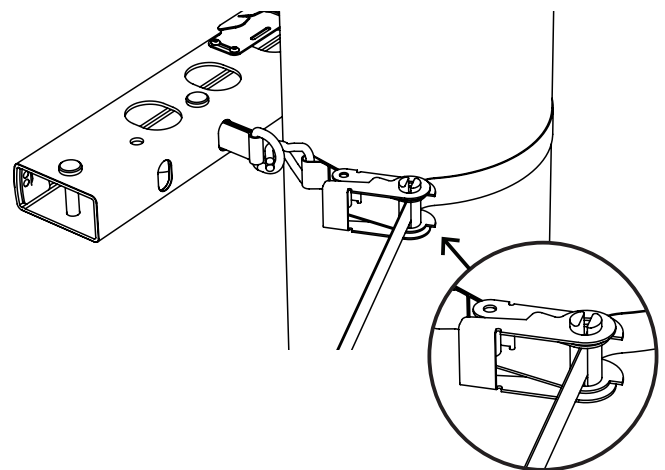
- 1 Hook one of the tie down straps onto the Ratchet Bar loop. Make sure that the hook is facing outwards.



- 2 Wrap the tie down around your anchor point and attach the other end to the loop on the opposite side of the Ratchet Bar. Be sure to have the hook facing outwards when attaching.



- 3 Tighten the ratchet so it's secure to the anchor point and be sure to keep the Ratchet Bar as level as possible.



- 4 Repeat the process for the fixed bar at the other anchor point. Again be sure to keep the bar as level as possible when tightening.

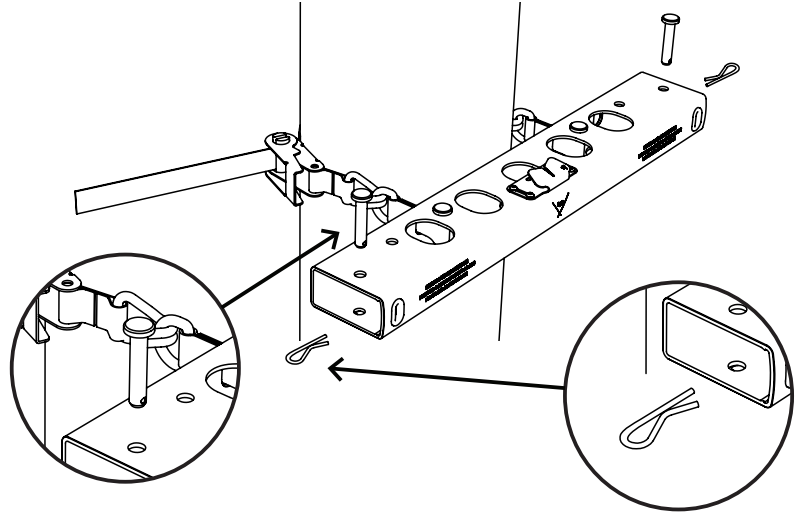
Always wear gloves during setup and never install above people

If working at heights always use a spotter and safety equipment

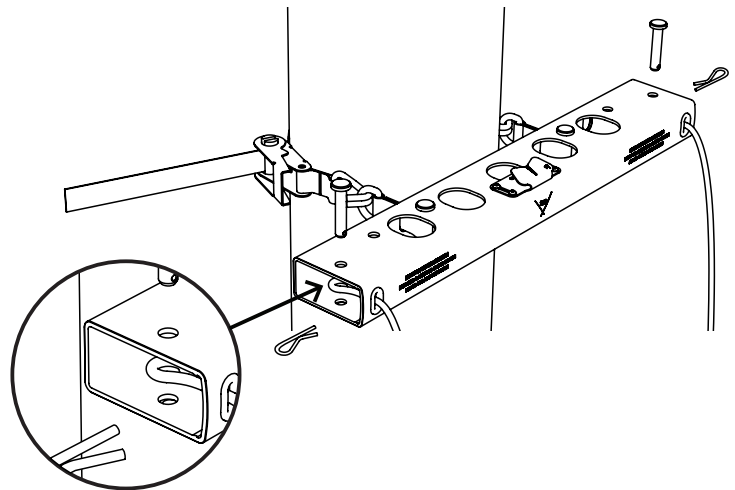
Attach the Slingshot Rope

Attaching the two 25m Slingshot Ropes.

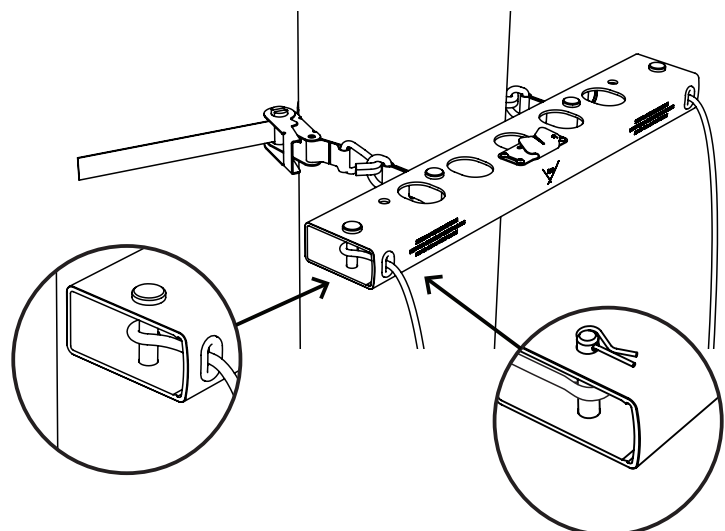
- 1 Pull the two pins out of the fixed bar by detaching the clips.



- 2 Thread the looped ends through the rope guide on the fixed bar.



- 3 Drop the pins back in through the rope loop to secure tightly. Re-attach the clips.

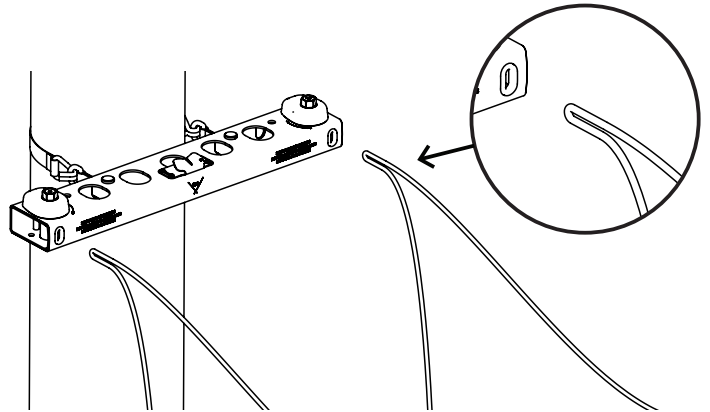


Under-side Showing Clip

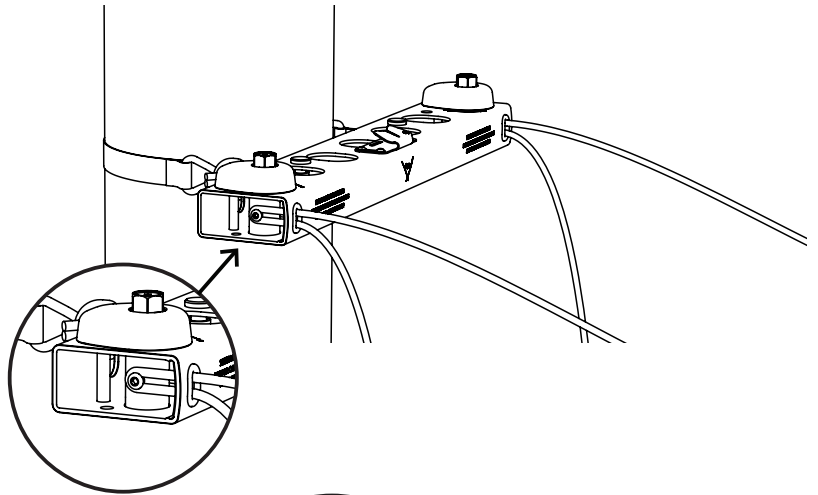
Attach the Slingshot Rope

Attaching the two 25m Slingshot Ropes.

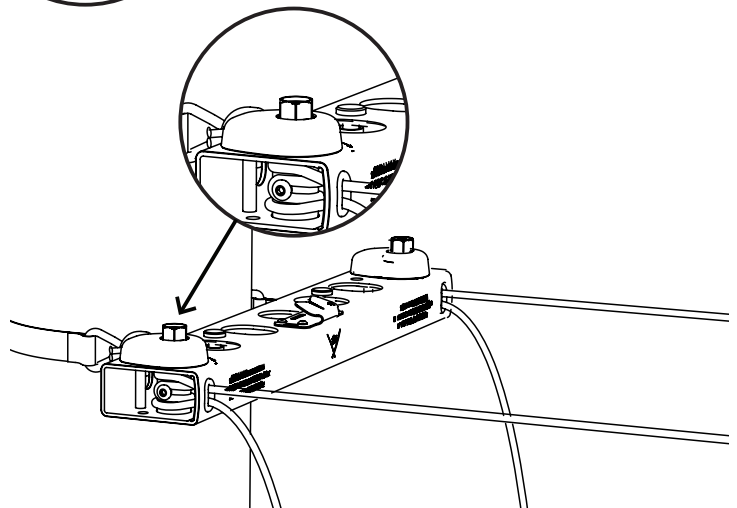
- 1 Un-reel the 25m Rope to the other anchor point ensuring to keep the rope separated from each other. Make a loop at the other end and thread the rope through the rope guide on the Ratchet Bar.



- 2 Wrap the loop around the rope screw inside.



- 3 Hand tighten the ratchet nut just enough to bind the rope so it doesn't slip.

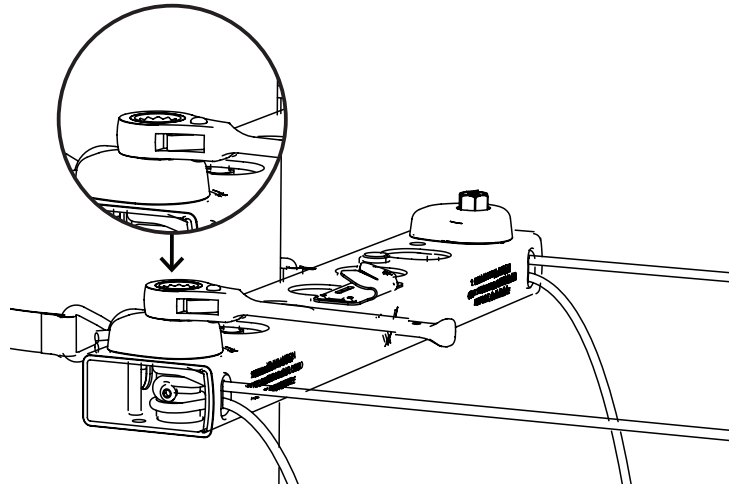


- 4 Repeat step 2 above for the other side.

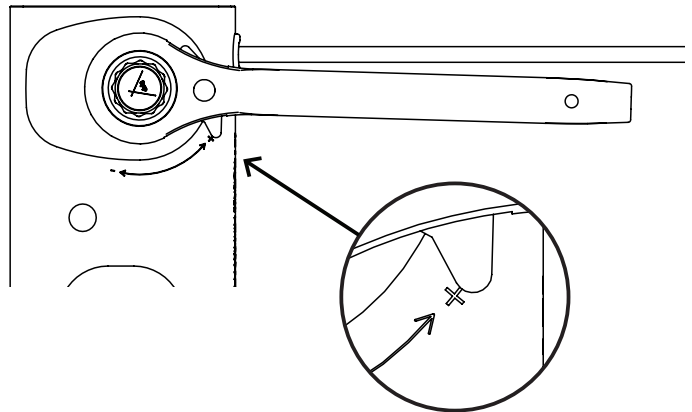
Attach the Slingshot Rope

Attaching the two 25m Slingshot Ropes.

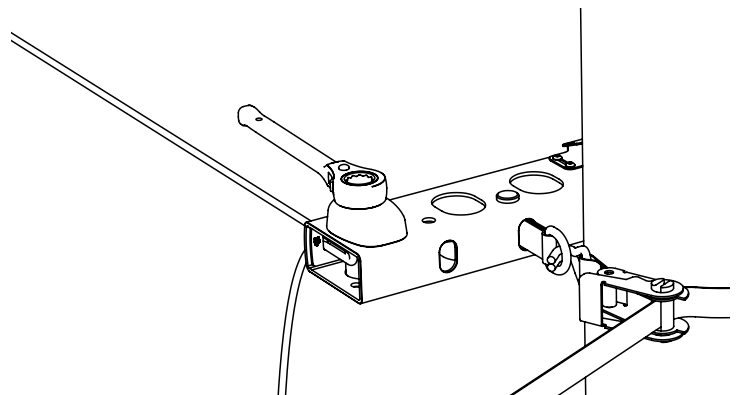
- 1 Take the Ratchet Wrench and tighten each side, alternating sides every 2 or 3 turns. Note that it's important that each side is tightened evenly during this process. Do not fully tighten one side before tightening the other.



- 2 To tighten, rotate the Ratchet Wrench in the + direction, to loosen wind the Ratchet Wrench in the - direction. Note that when alternating sides you need to flip the ratchet wrench over.



- 3 When tightening make sure to stand behind the Ratchet Bar not beside or underneath.



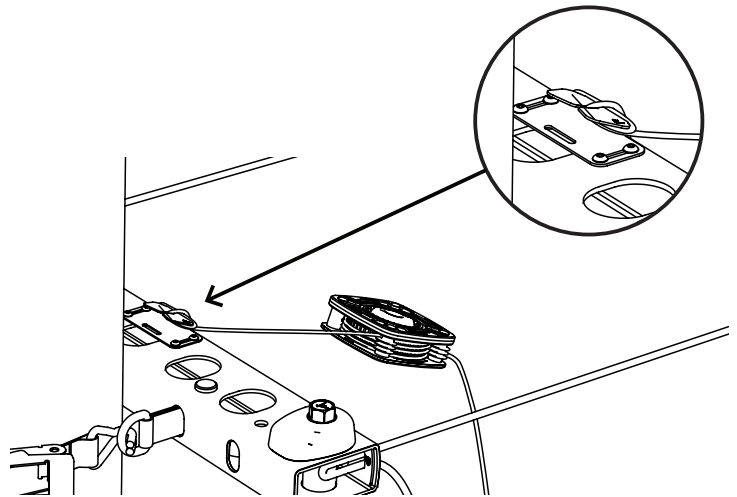
Never use 3rd Party Ratchet Wrenches for tightening

Never overtighten. Max Torque Rating 20 ft/lb / 26 Nm

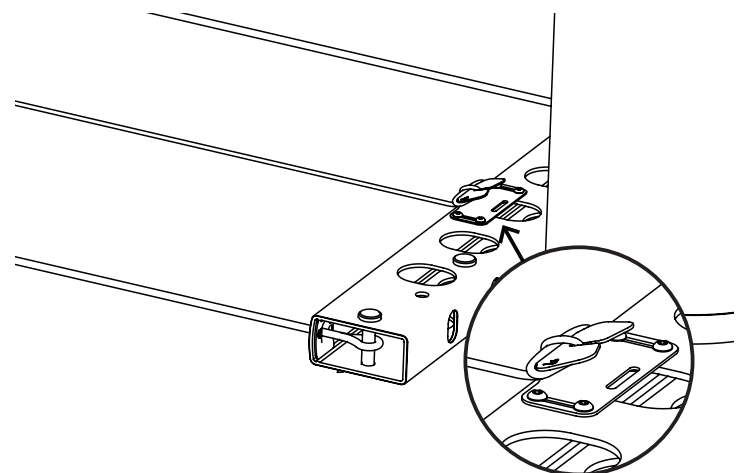
Attach the Genie Rope

Attaching the Genie Rope to each end.

- 1 Attach one end of the 25m Genie Rope to the Ratchet Bar by threading around the rope accessory hook in the middle of the bar. Note that the end where you first attach the Genie Rope will be the end that you start your time-lapse.



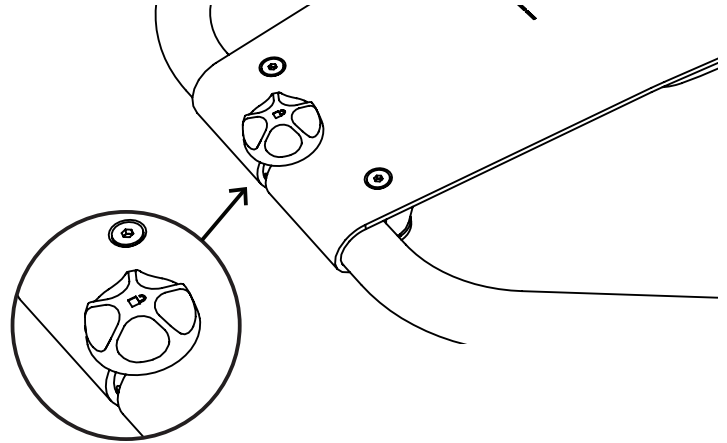
- 2 Un-reel the 25m Genie rope to the other anchor point and attach to the Fixed Bar. Pull hand tight.



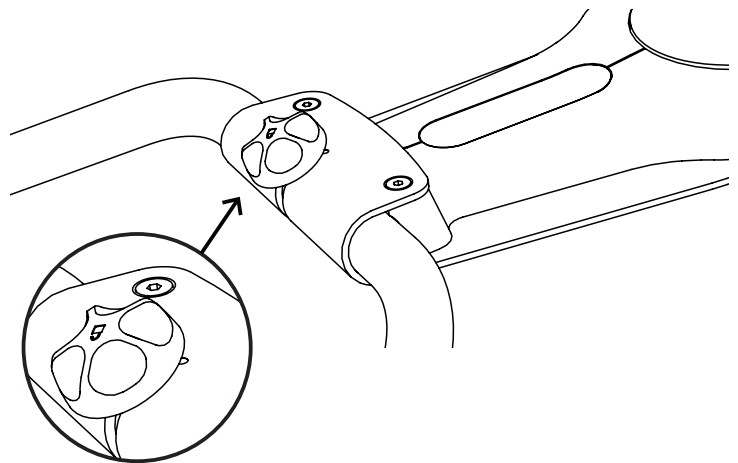
Assemble the Carriage

Slingshot Carriage Assembly

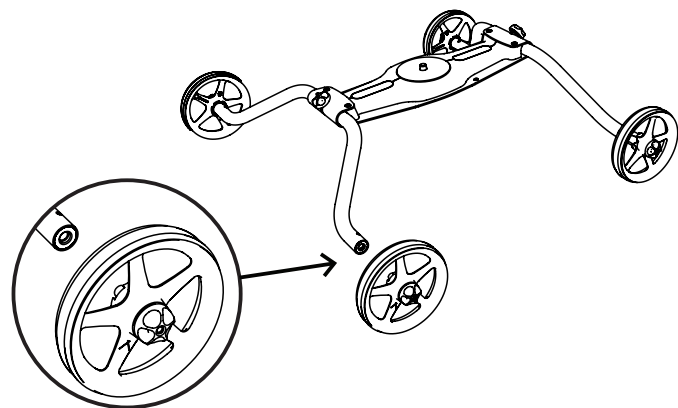
- 1 Loosen the arms by un-screwing the arm-lock screw just enough to loosen the bars. Be careful not to take the screw all the way out.



- 2 Unfold the arms out and re-tighten the arm-lock screw into place. Ensure that the arm lock screw locates securely back into the hole.



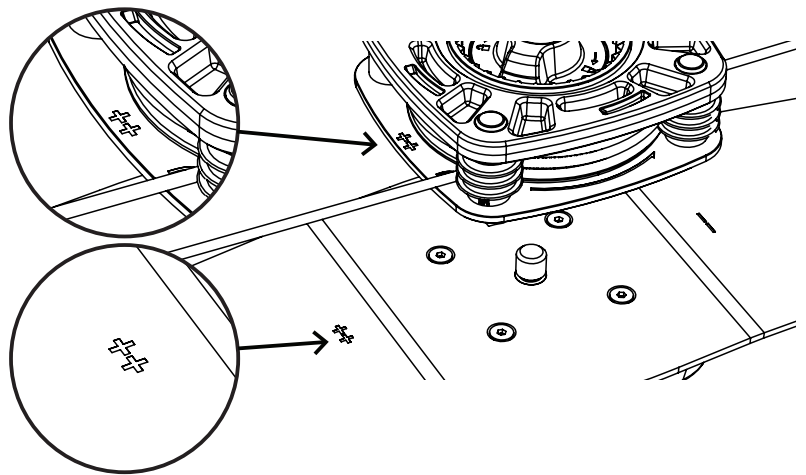
- 3 Screw the four wheels onto the arms.



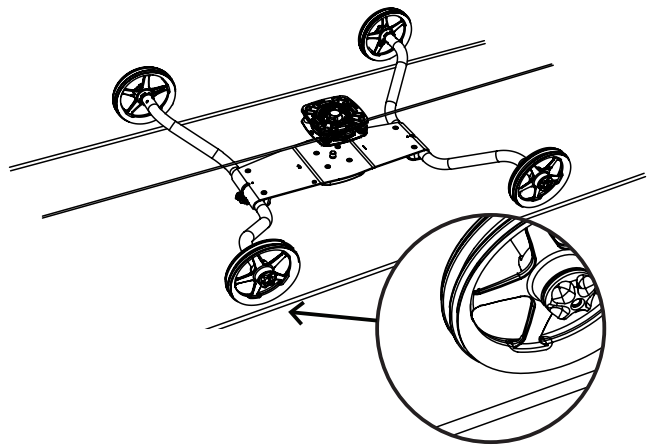
Attach the Carriage

Attaching the carriage to the slingshot rope

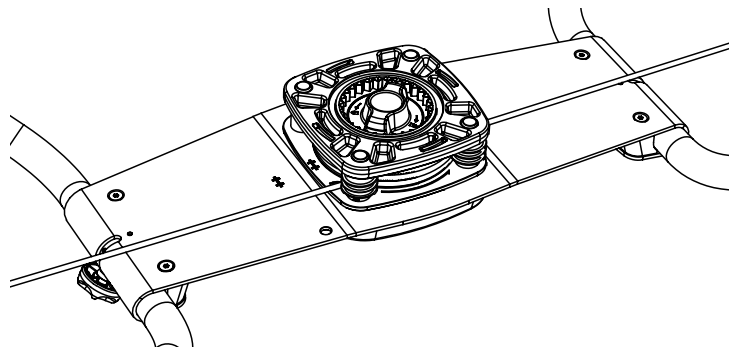
- 1 Orientate the Carriage so that the cork is facing down towards the ground. Also make sure that the ++ -- markings on the carriage match the ++ -- markings on the Slingshot Linear Accessory.



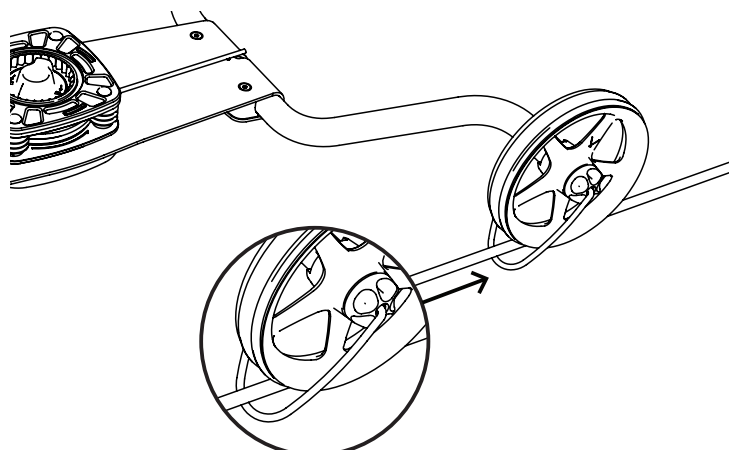
- 2 Lift the Carriage up through the bottom of the Slingshot Rope and line up the middle groove of each wheel so that they slot on top of the Slingshot Rope.



- 3 Ensure that the Slingshot Linear Accessory is sitting on top of the Carriage. Now screw in the Slingshot Linear Accessory. Note the Slingshot Linear Accessory differs from the Genie Linear accessory.



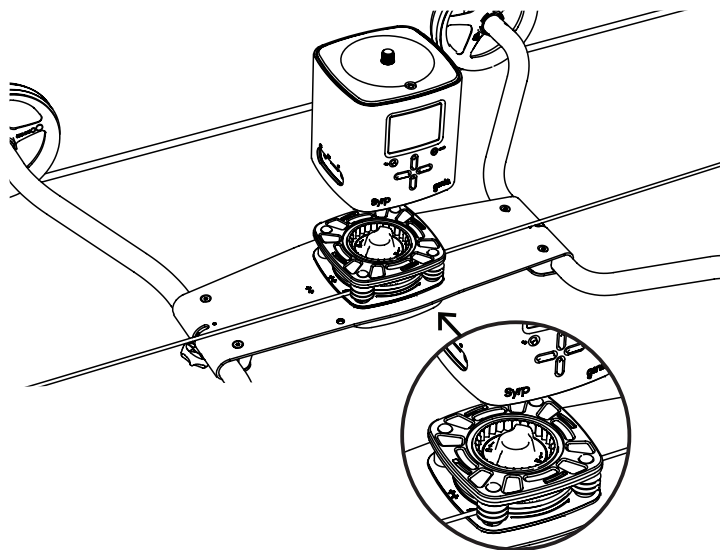
- 4 Attach the safety hooks around each wheel by threading the straight end through the inside hole on the arm. Then wrap around the bottom of the wheel and pull the safety hook out, slotting the hook end into the hole on the wheel.



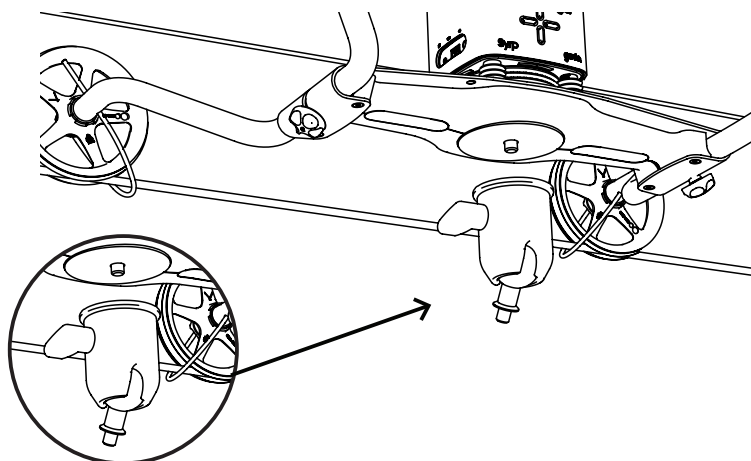
Attach the Genie & Camera

Attaching your Genie & camera to the Slingshot

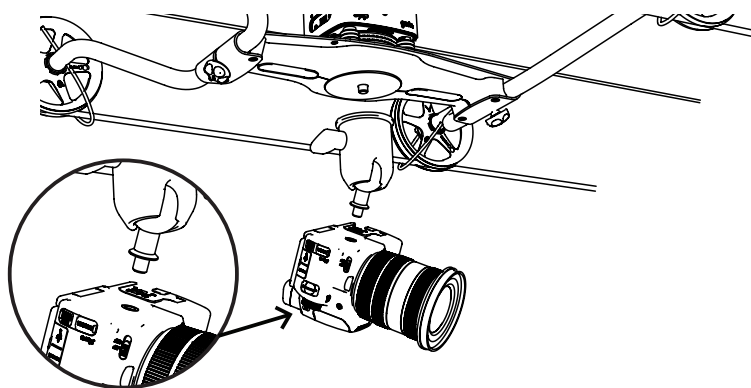
- 1 Click the Genie into the Slingshot Linear Accessory. Make sure that there is no orange showing on the lock on the back of the Genie.



- 2 Screw in a ballhead or tripod head into the bottom of the Slingshot Carriage.



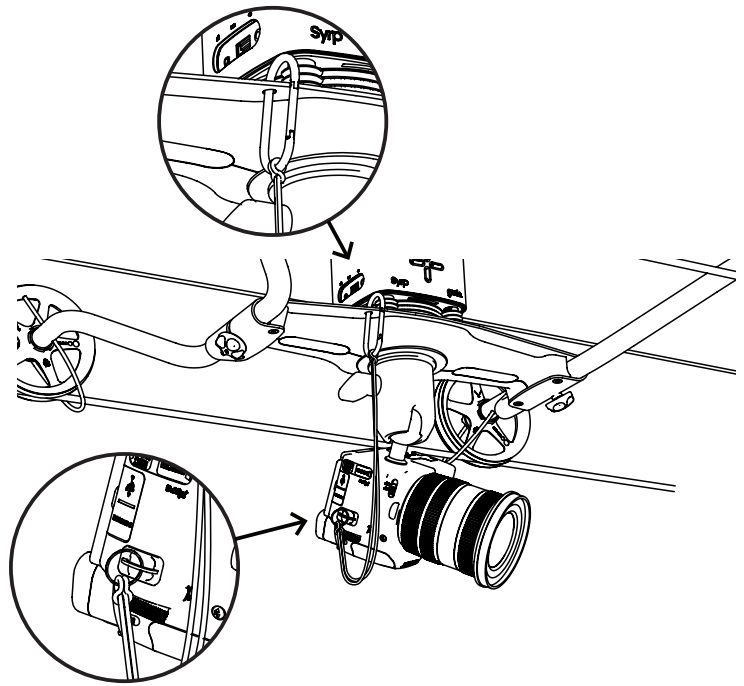
- 3 Carefully attach your camera to the ballhead or tripod head making sure the camera is tightly secured.



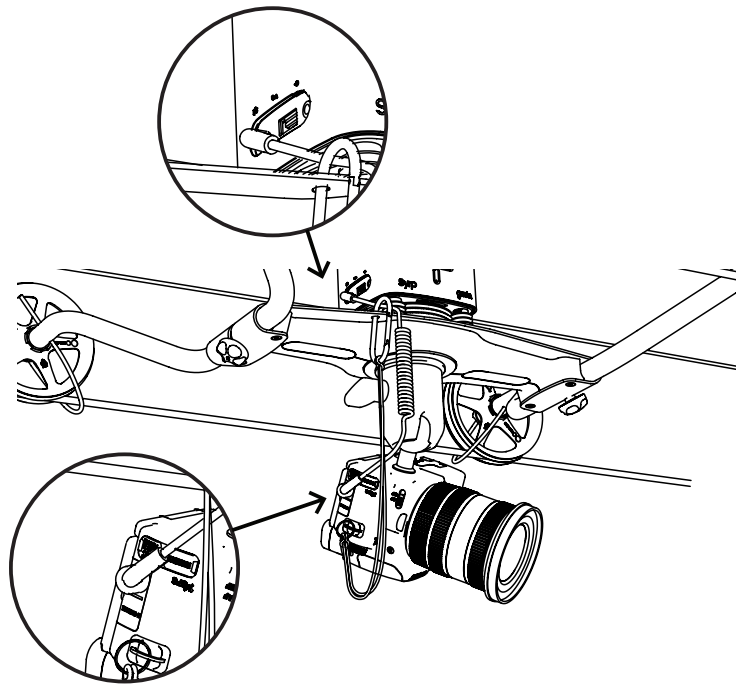
Never operate when orange is visible on the Genies release latch

Never attach the Genie hanging upside down on the Slingshot Carriage

- 4 Attach the caribenna end of the safety lanyard to the hole on the Slingshot Carriage. Then attach the other end to the camera strap hook.



- 5 Attach one end of the Link cable to the camera port on the Genie and connect the other end to the shutter release port on your camera to trigger the shutter for time-lapse.



Never operate without using the Camera Safety Lanyard

Specs

Technical Specifications of the Slingshot

GENERAL

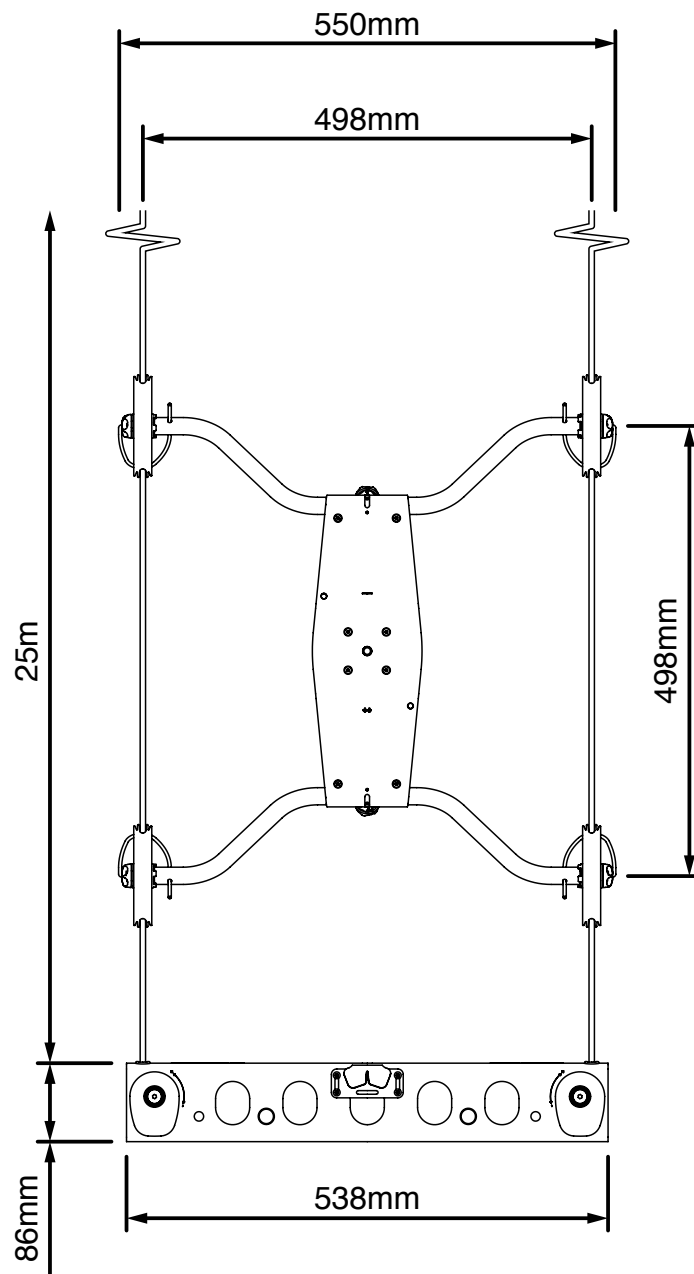
- 1 Bag Dimensions: W: 15" (38cm) x L: 22" (56cm) x H: 6.3" (16cm)
Weight: 17.6 lbs / 8kg (full kit including bag)

SLINGSHOT CARRIAGE

- 2 Dimensions: W: 21.6" (55cm) x L: 24.4" (62cm) x H: 4.7" (12cm)
Max Payload on carriage: 17.6lbs / 8kg
Mount Type: 3/8 UNC Thread (Top and Underside)

SLINGSHOT ROPE

- 3 5mm Braided UHMwPE Core with HT Polyester Sheath
Max Distance: 330ft / 100m
Max Torque Rating: 20 ft/lb / 26 Nm



Contact



Syrp Limited
43A Linwood Ave, Suite 7
Mt Albert 1025
Auckland
New Zealand
+64 9 845 6319



General enquiries:
syrp@syrp.co.nz

www.syrp.co.nz



twitter.com/syrp_



vimeo.com/syrp



[instagram.com/syrp_](https://www.instagram.com/syrp_)



[gplus.is/syrp](https://plus.google.com/syrp)



[facebook.com/syrp.co.nz](https://www.facebook.com/syrp.co.nz)



[youtube.com/c/syrp](https://www.youtube.com/c/syrp)

better films.

